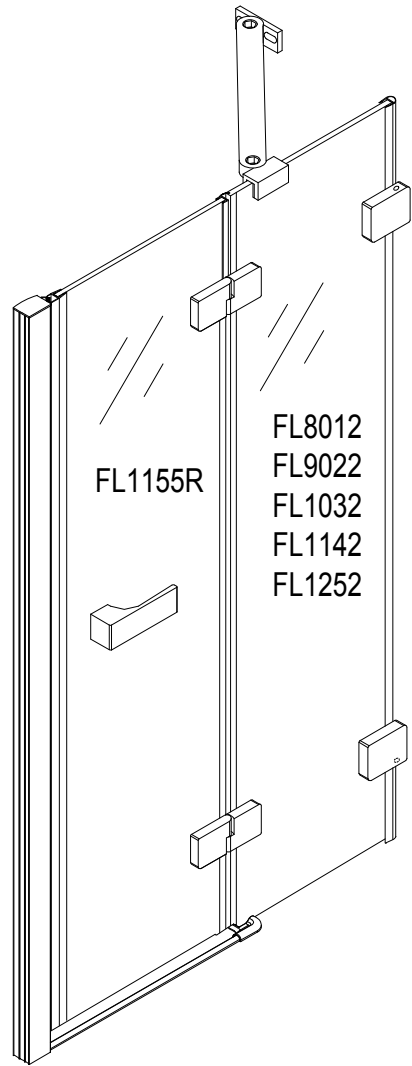
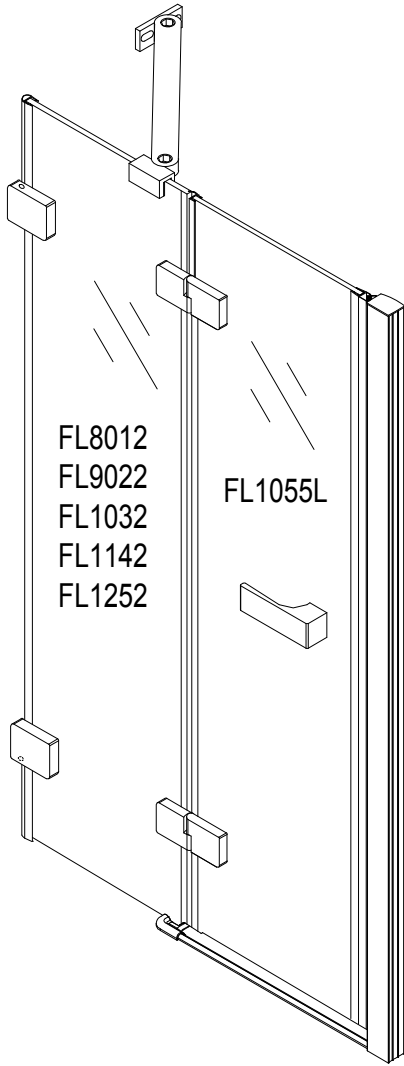
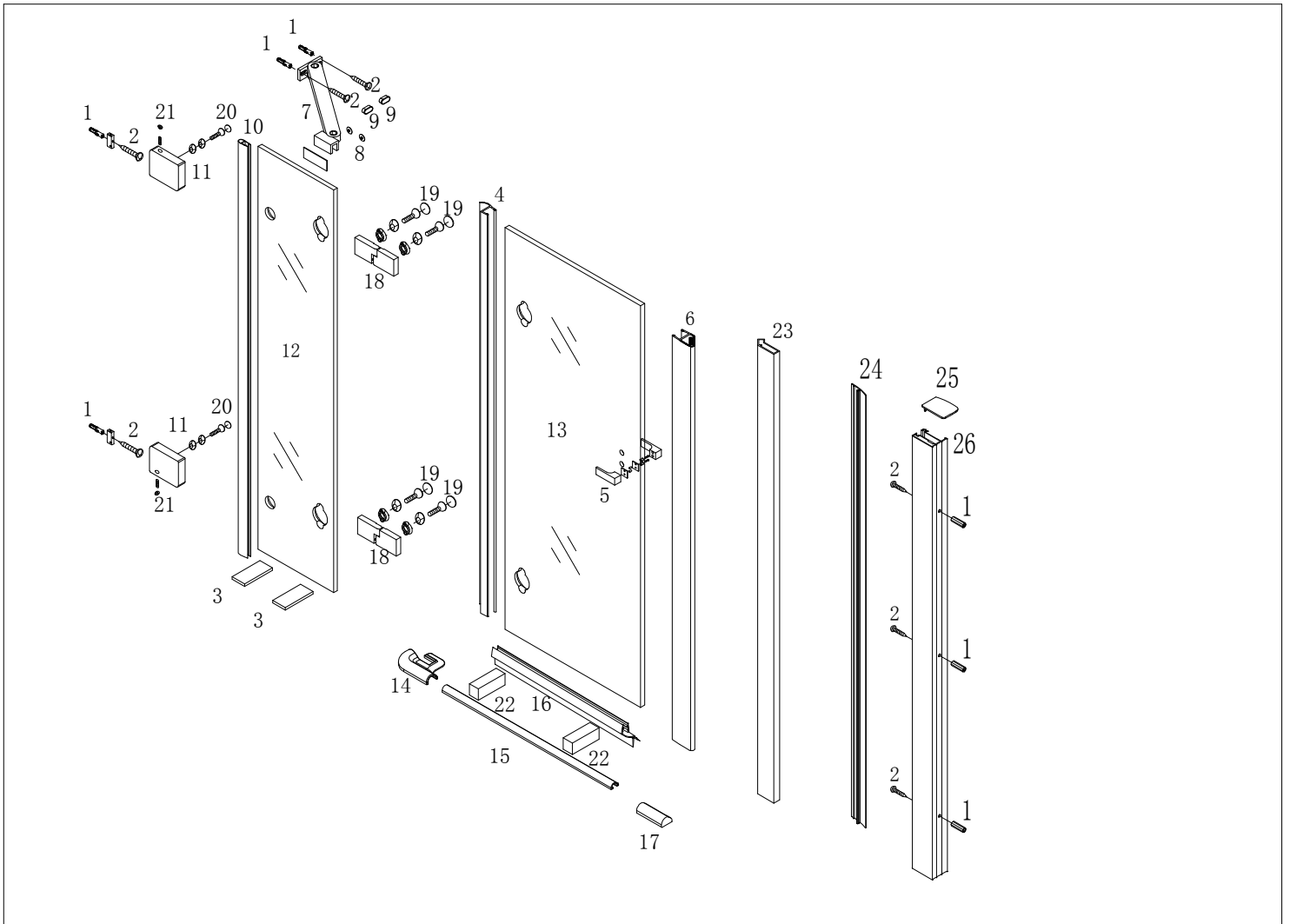


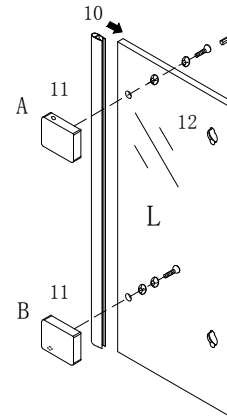
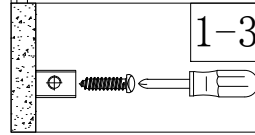
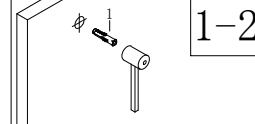
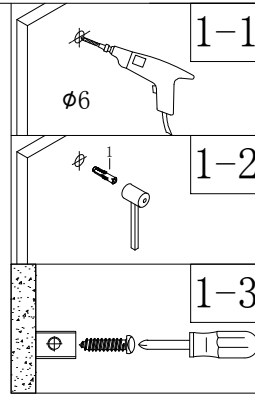
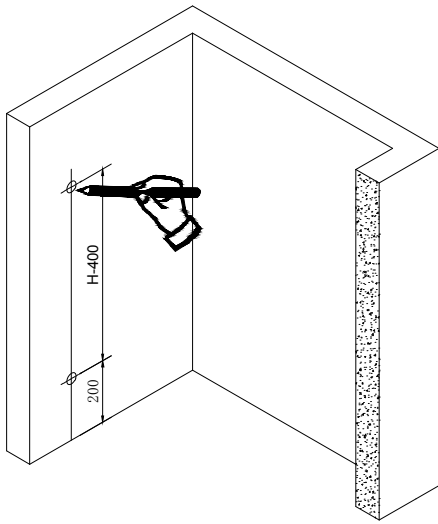
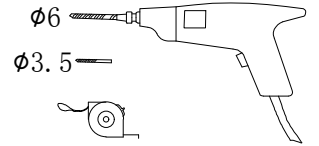
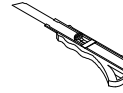
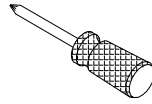
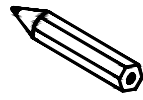
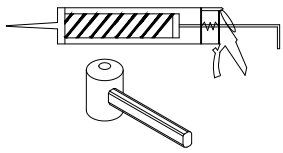
FORTIS EDGE





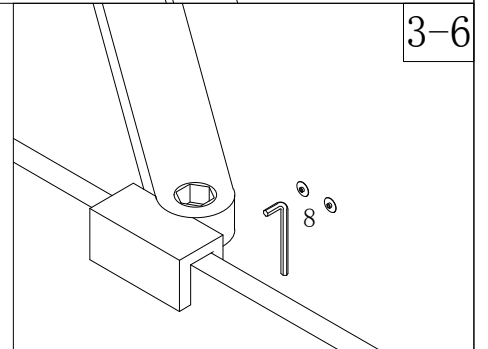
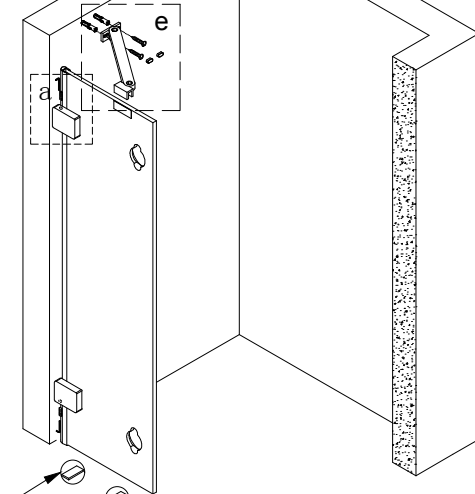
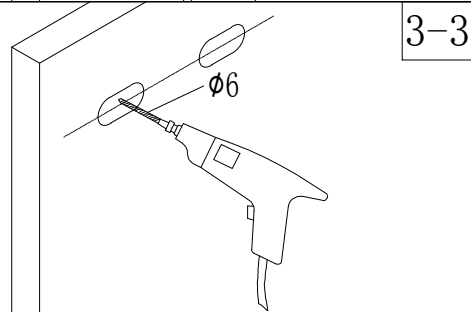
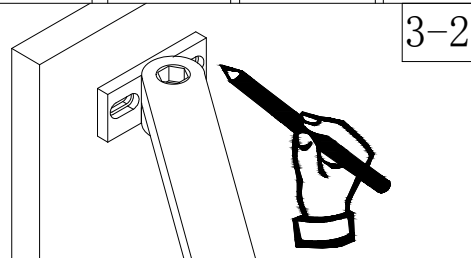
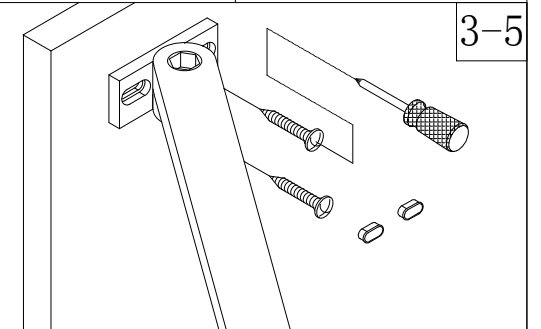
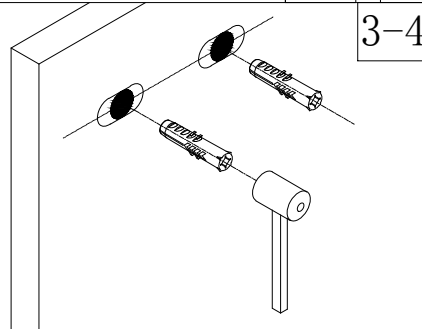
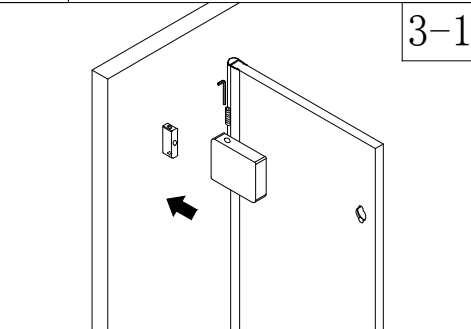
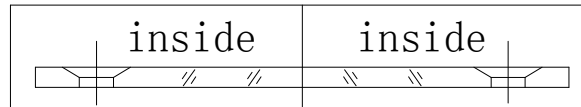
1	2 ST4X30	3 X4 1mm X4 2mm X4 3mm 12Pcs	4	5	6
7	8	9	10	11	12 II 1+1Pc
13	14	15	16	17	18
19	20	21	22	23	
25	26				

Tools:



1

2

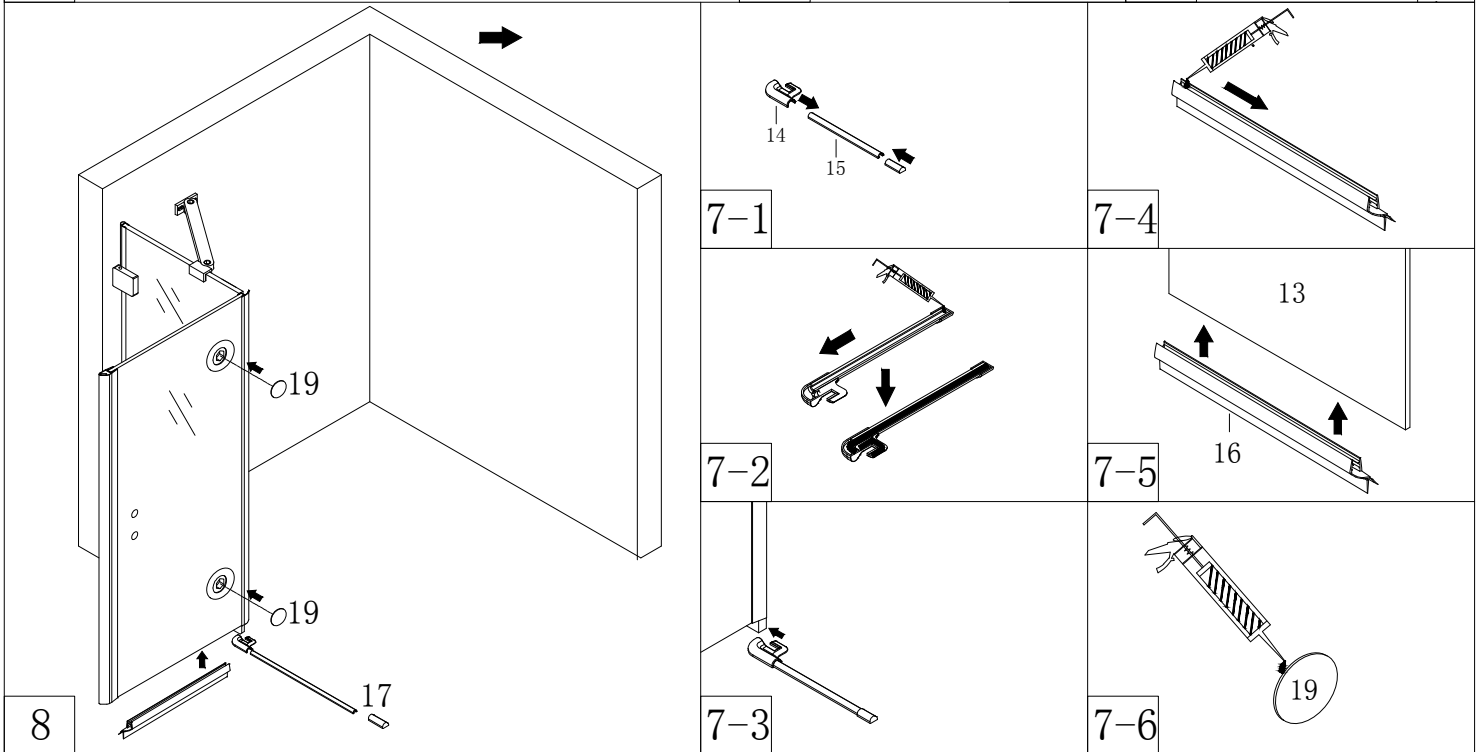
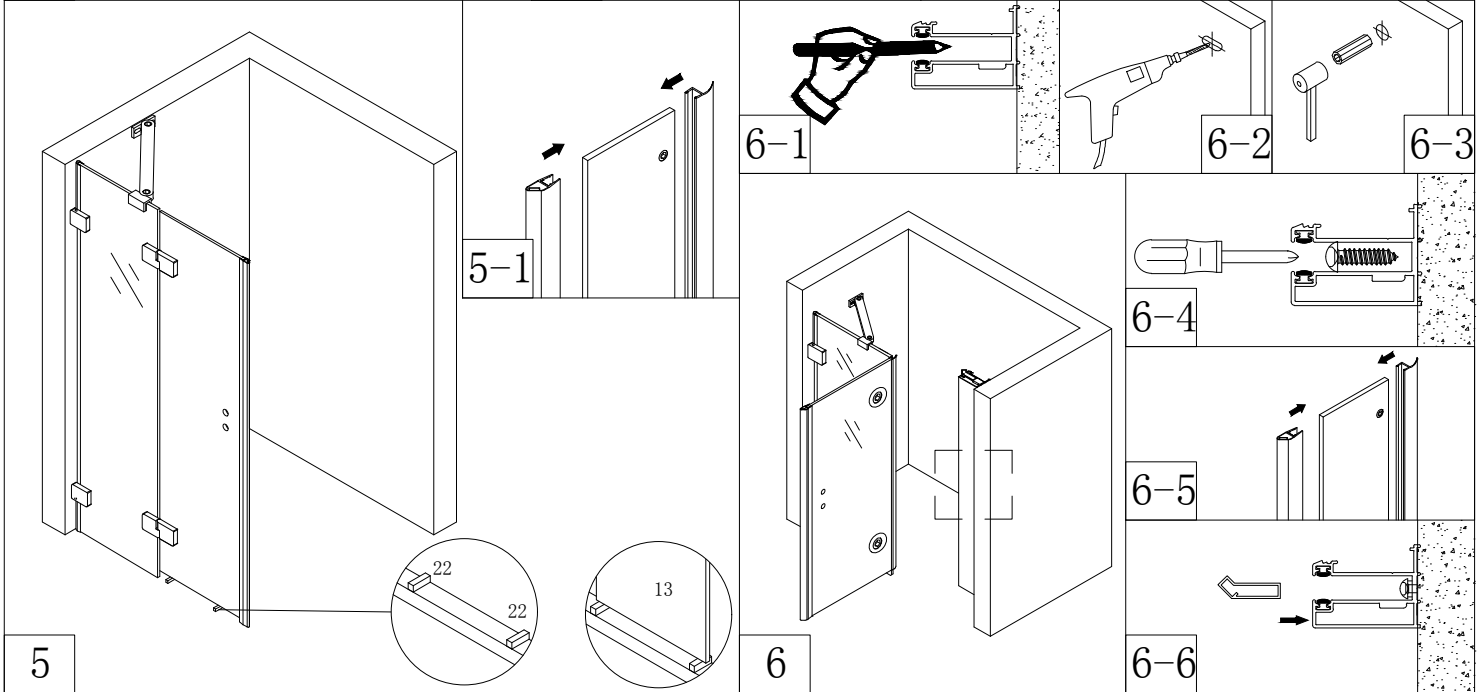
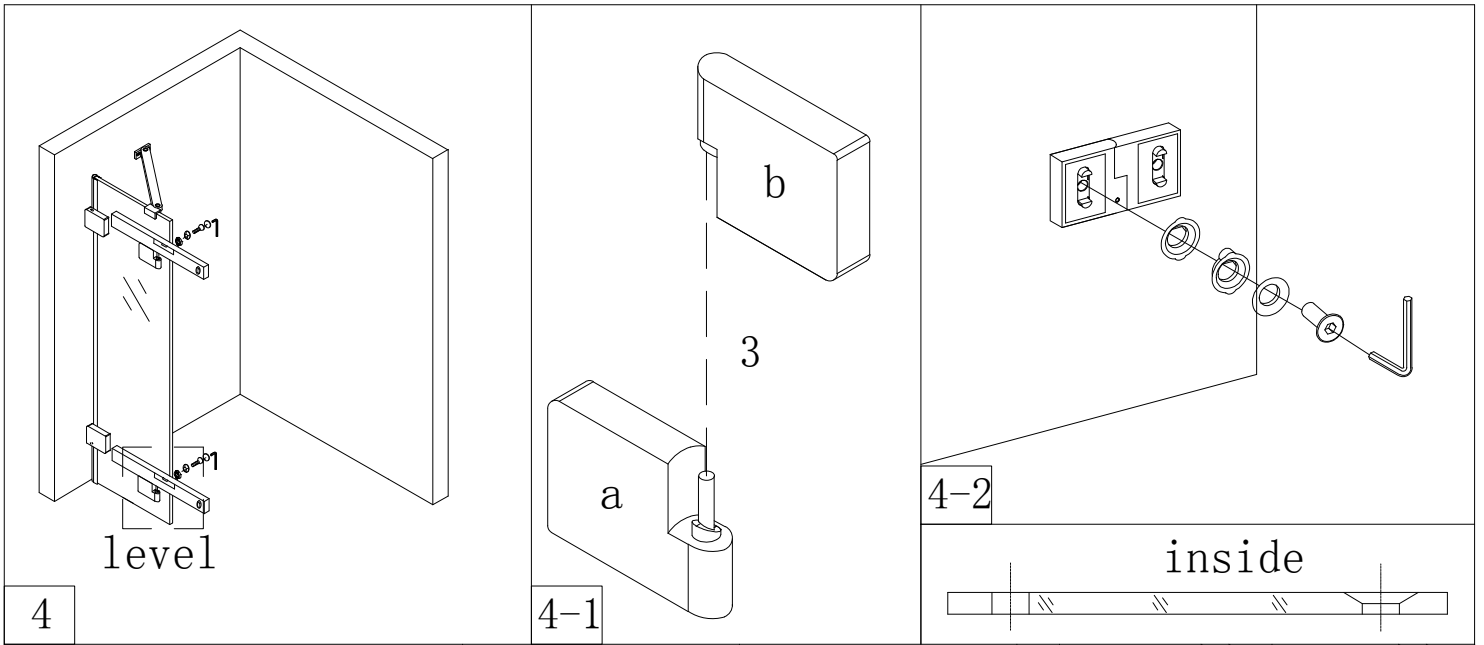


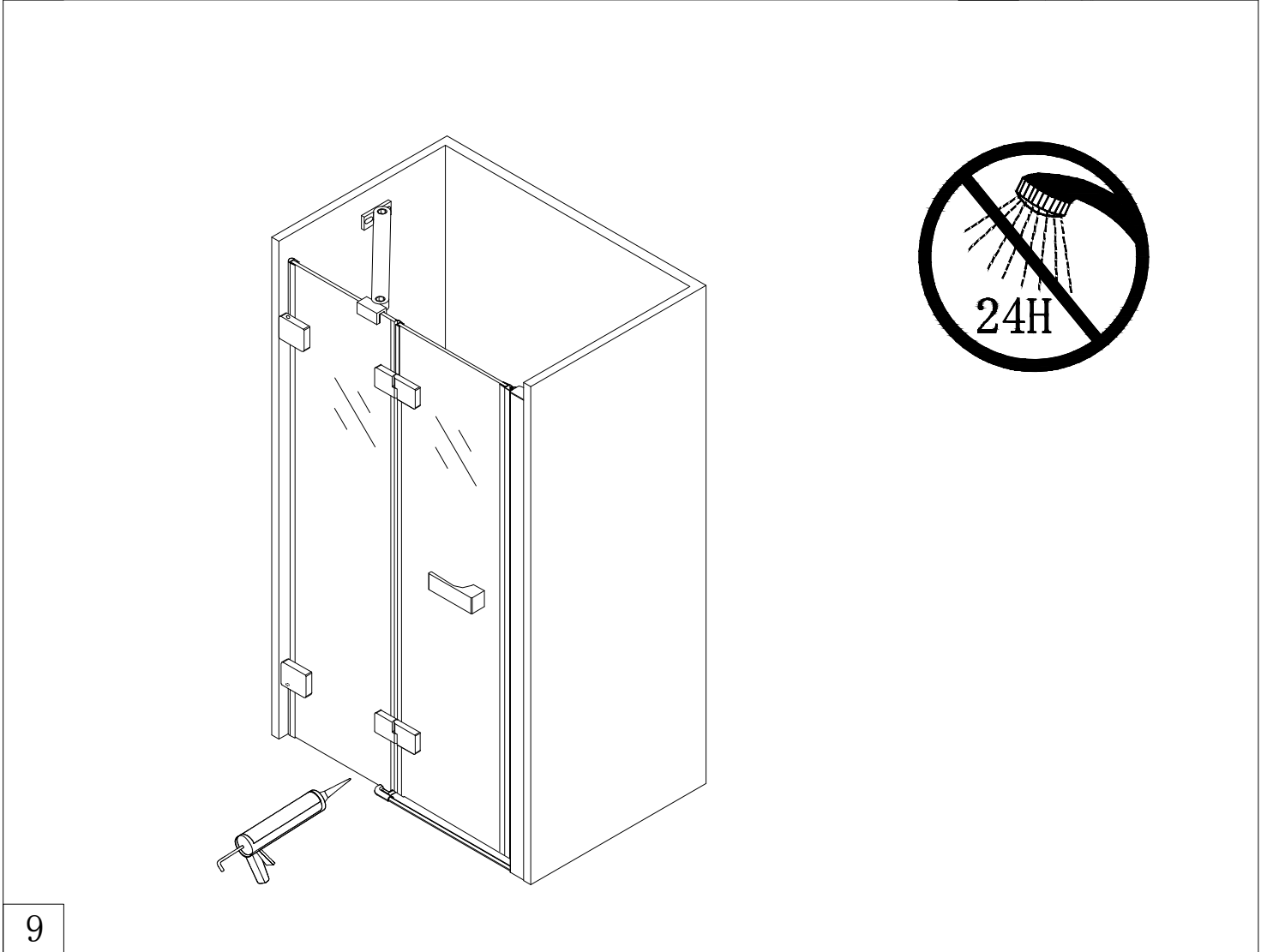
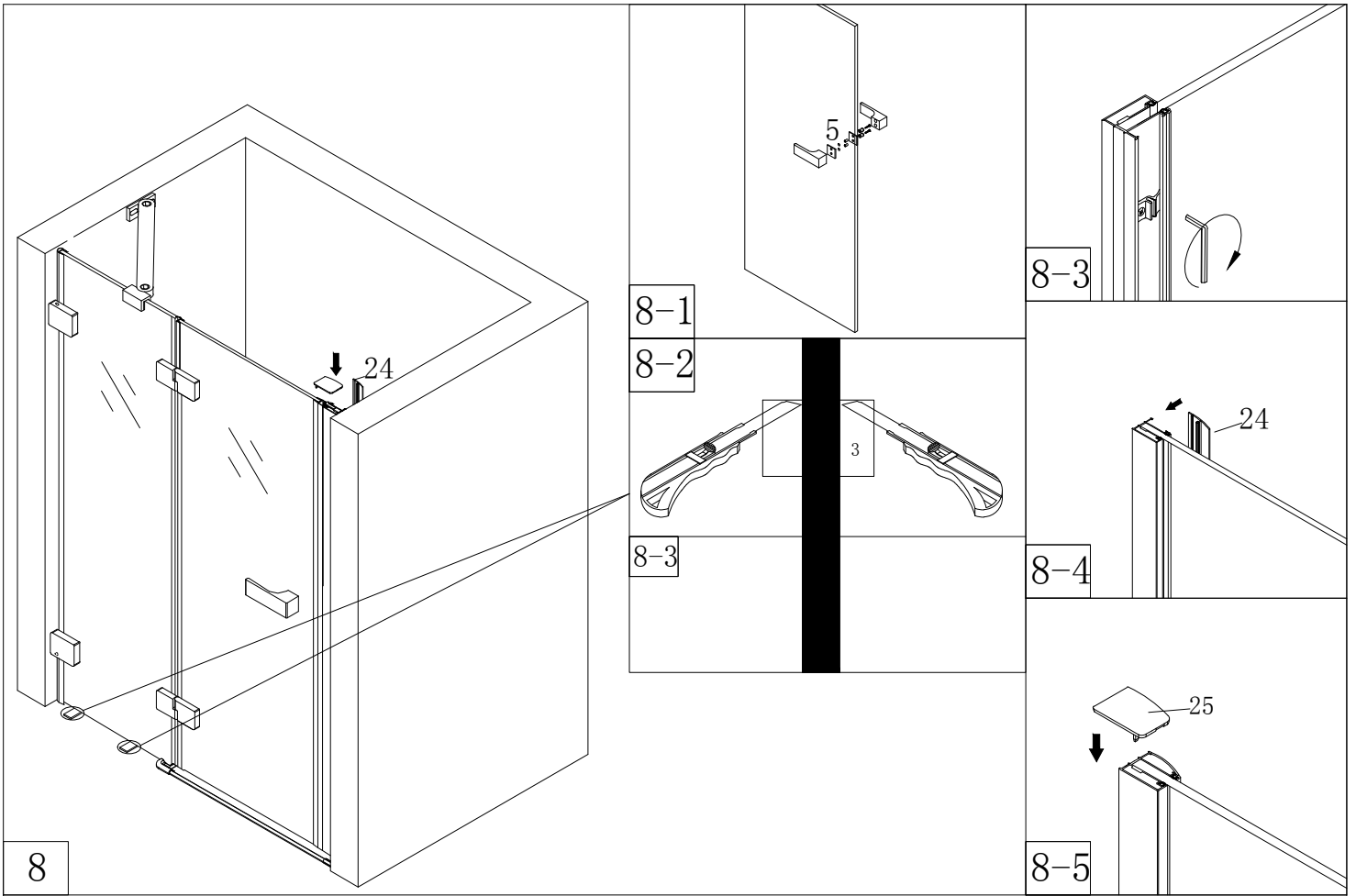
3

Select the appropriate gasket as required

3

Select the appropriate gasket as required







Nesměřice 52
285 22 Zruč nad Sázavou
Česká republika

tel.: +420 327 585 981

fax: +420 327 585 989

www.polysan.net